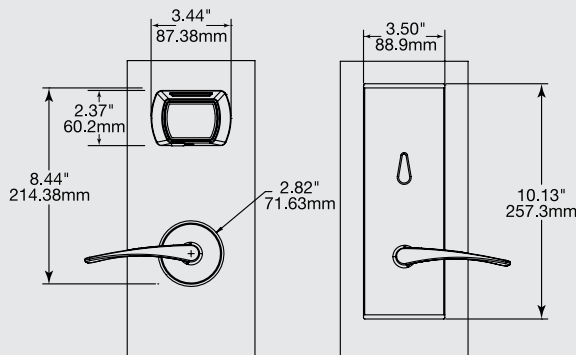


ILCO Q90 RFID (Quantum Series)



Overview

The ILCO Q90 door lock offers contactless RFID technology to enhance guest convenience and improve operational efficiency. This RFID solution offers keycard auditing capabilities for enhanced staff monitoring & user accountability. The Q90 works with both the stand-alone portable Front Desk Unit (FDU) and the web-based ATLAS (coming soon). The lock is able to operate using the Kaba Mobile Key System and can be offered with one the following options: Bluetooth Low Energy (BLE) compatible, ready or enabled.

Applications

- Suitable for small to very large scale hotels
- Easily replaces existing mechanical or electronic door locks
- Access control for guest rooms, common areas, and back-of-house


Security Features

- High security and tamperproof design
- 1" solid deadbolt (optional auto deadbolt)
- Emergency access: Emergency keycard and electronic override

Low Maintenance

- Operates with a completely sealed contactless reader
- Batteries last up to 2 years
- Low battery indicator alerts staff
- Lock programming and audit are not erased during battery replacement
- Upgradeable lock firmware

Mechanical Features

Description	Electronic mortise lockset with 1" (25.4mm) throw deadbolt and 5/8" (15.9mm) dead-locking latch bolt
Handing	Factory-handed mortise (left, right, left reverse, right reverse)
Levers	ADA compliant 
Deadbolt	1" (25.4mm) throw deadbolt and 5/8" (15.9mm) dead-locking latch bolt
Door Thickness	1 3/4" (44.5mm) to 2 1/8" (53.98mm) for standard product
Shipping Weight	Approximately 8.0 lbs (3.62 Kg) with hardware
Housing Construction	Inside escutcheon: Zinc Levers: Zinc Reader: Plastic
Standard Finishes	Satin chrome, satin brass
Standard Backset	2 3/4" (70mm) backset from door to edge of lever
Locking Options	ANSI lock case with 1 1/4" or 1" lock front mortise. Optional automatic deadbolt

Batteries

Alkaline	Battery life is up to 2 years. Low battery indicator alerts staff that batteries need to be changed
----------	---

Lock Operation

Date/Time Stamp	Real time: date and hours/minutes
Programming and Audit Trail Downloading	Can be done using a 4K audit keycard or by using the FDU
Pre-registered Keycards	Up to 10 days in advance
Keycard Expiry	From 1 hour to 7 years, depending on type and setup
Passage Mode	Set by authorized keycard
Lockout Mode	Set by authorized keycard
Keycards Accepted	RFID cards or tags (ISO 14443, Mifare Classic (4 Byte NUID))
Feedback	"Dual sensory" audible and visible indicators
Diagnostics	Built-in battery voltage meter and lock version display
Audit Memory	Last 2000 transactions stored in lock (lock audit can be retrieved using M-unit or FDU or using lock audit keycard)
Disability Feature	Extended unlock time (4 seconds standard, 15 seconds for disability)
Privacy Override	Default emergency keycard only (user selectable)
Mobile Key Options (BLE)	BLE compatible: Standard Lock. Upgradable to BLE by adding BLE connector, end cap and BLE module BLE ready: Upgradable to BLE by BLE module BLE enabled: End cap with BLE module included, no further upgrades needed (soon available)

Certification and Testing

Accessibility Standard	ADA compliant levers (Code of Federal Regulations 28 CFR Part 36 – 1994 "ADA Standards for Accessible Design")
BHMA/ANSI	Certified to be compliant with Grade One performance tests for "ANSI/BHMA A156.13-2005 Standard for Mortise Locks and Latches," and "ANSI/BHMA A156.25-2007 Standard for Electrified Locking Devices." (Only locks tested and approved by non-biased third-party test lab are allowed in the "BHMA Certified Products Directory" found at www.buildershardware.com)
Fire Rating	Listed for pre-prepared manufactured doors and certified for retrofitting on existing doors by Underwriters Laboratories for use on fire doors having up to a three-hour rating. a. U.L. Certification: GWVW.R12071 "Accessories for Single-point Locks and Latches and Fire Exit Hardware." Evaluated in accordance with UL 10B and UL 10C. b. U.L. Listing: GYQS.R11247 "Electrically Controlled Single-point Locks and Latches." Evaluated in accordance with UL 10B and UL 10C. c. Also classified in accordance with Uniform Building Code Standard 7-2, "Fire Test of Door Assemblies" (1997)
Electronics	FCC Part 15 Class A and Electromagnetic Compatibility (EMC) Directive 2004/108/EC Environmental Operating Conditions -31°F to 151°F (-35°C to 66°C) 0% to 85% non-condensing humidity at 86°F (30°C)
Florida Building Code	Approved in the exterior door category (exterior door components). Code of approval is FL16844

Warranty

Standard Factory	Two years
Extended Warranty	Kaba Service Plans (Platinum, Gold, Silver)

Kaba

www.kabalodging.com

ILCO: 1.877.468.3555 +1.514.735.5410

www.ilcostore.com