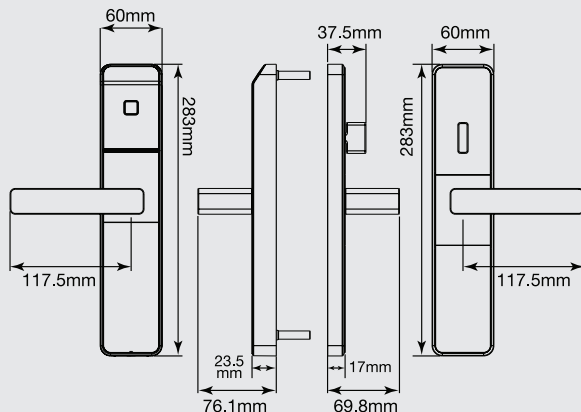


# Confidant RFID Kit 2 & Kit 3



Inside and Outside Housings



## Overview

The Confidant RFID offer RFID technology to enhance guest convenience and improve operational efficiency. The RFID solution offers keycard auditing capabilities for enhanced staff monitoring & user accountability.

The Kit 2 is an upgrade solution with both outside and inside housings compatible with third party mortise lock cases, while the Kit 3 is a complete locking solution that includes also a lock case. The Confidant RFID is easy to use and works with ILCO and Saflok systems (including Messenger Lens). The lock is able to operate using the Kaba Mobile Key System and can be offered with one of the following options: Bluetooth Low Energy (BLE) ready, or enabled.

## Applications

- Adjustable mounting screw locations
- Suitable for small to very large scale hotels
- Easily replaces existing mechanical or electronic door locks
- Confidant RFID Kit 2 works with third party mortise lock cases
- Access control for guest rooms, common areas, and back-of-house

## Security Features

- Vandalism and attack resistant
- Improved tamper resistance; tamper alarm is reset by emergency key or Kaba handheld programming device
- Override options — Electronic override: performed by using the Kaba handheld programming device. Mechanical key override: with key cylinder option
- Emergency access: emergency keycard and electronic override

## Low Maintenance

- Operates with a completely sealed contactless reader
- Batteries last up to 50,000 openings or up to 3 years
- Low battery indicator alerts staff
- Audit trail is retained during battery replacement and lock programming
- Wear resistant construction and finish

## Mechanical Features

<i>Outside Housing</i>	Zinc cast alloy construction with steel mounting plate/Field reversible levers. Ergonomic RFID reader with target to guide user/LEDs for visual feedback. Panel that conceals key cylinder (if used), lock batteries (3 alkaline AA type) and programming interface. Spindle socket	
<i>Inside Housing</i>	Stainless steel trim with a steel mounting plate construction / Field reversible levers Privacy turn knob (optional)	
<i>Levers</i>	Available in short or long return designs. Outside lever free to rotate upward and downward in locked mode. DIN compliant levers (optional)	
<i>Standard Finishes</i>	Satin chrome or satin brass	
<i>Batteries</i>	3 AA batteries for up to 50,000 openings or up to 3 years (based on 10 openings per day). Low battery indicator: alerts staff that batteries need to be changed soon	
<i>Door Applications</i>	35mm - 55mm. Minimum backset: 40mm or more. Wood or metal, hollow or solid. Rosette mounting option eliminates the need for drilling (retrofit scenario)	
<i>Hardware Configurations</i>	Kit 2 includes outside lock housing, inside lock housing and installation hardware kit. Kit 3 includes outside lock housing, inside lock housing, BMH 801 lock case and installation hardware kit.	
<i>Locking Option</i>	BMH 801 lock case (applicable only with Kit 3)	
<i>Online Configurations (Coming soon, Saflok only)</i>	Messenger Ready	Outside escutcheon with Messenger connector Standard inside escutcheon.
	Messenger Online	Outside escutcheon with Messenger connector Inside enclosure with Messenger module.
<i>Mobile Key Options (BLE)</i>	BLE ready BLE enabled	Upgradable to BLE by BLE module (coming soon) End cap with BLE module included, no further upgrades needed (coming soon)

## Lock Operation

<i>Date/Time Stamp</i>	Real time: date and hours/minutes	
<i>Programming &amp; Audit Trail Downloading</i>	Using handheld units (Kaba M-Unit, FDU, HH5/HH6) or remotely through Messenger wireless system to obtain key use history reports from the lock, or using a 4K audit keycard	
<i>Preregistered Keycards</i>	Keys can be made up to ten days in advance without cancelling current or arriving guests	
<i>Keycard Expiry</i>	Configurable expiration dates; can be automatically set for check out date or manually applied when making key during check in process	
<i>Passage Mode</i>	Set by authorized keycard or Messenger system. Can optionally also be configured to perform an automated/pre-defined passage mode time	
<i>Lockout Mode</i>	Set by authorized keycard or Messenger system	
<i>Keycards Accepted</i>	RFID cards or tags (ISO14443A with Mifare Classic) available in Mini, 1K and 4K memory sizes (4 byte NUID type)	
<i>Feedback</i>	"Dual sensory" audible and light indicators	
<i>Diagnostics</i>	Light indicators and handheld display	
<i>Audit Memory</i>	Saflok systems: up to 4000 events ILCO systems: up to 2000 events	
<i>Disability Feature</i>	Available for special openings	
<i>Privacy Override</i>	Emergency keycard	

## Certifications & Testing

<i>Accessibility Standard</i>	ADA (Americans with Disability Act) compliant levers	
<i>Industry Standards</i>	Fire resistance 30 minutes per EN 1634-1 DIN 18273 with DIN lever handles EN 179 with DIN or long return lever handles and with BMH 801 lock case (applicable to Kit 3 only) Approved compliant door and lock case must be used	
<i>Electronics</i>	Compliant and listed to CE 61000-4, FCC Part 15 and Industry Canada RSS-210. CE R&TTE Directive	
<i>Environmental Operating Conditions</i>	-35°C to 70°C 0% to 85% non-condensing humidity at 30°C Certified to IP54 for dust and elements on IEC 60529	

## Warranty

<i>Standard Factory Warranty</i>	Two years	
<i>Extended Warranty</i>	Kaba Service Plans available	

Kaba

[www.kabalodging.com](http://www.kabalodging.com)

ILCO: 1.514.735.5410 · Saflok: 1.248.837.3700

[www.ilcostore.com](http://www.ilcostore.com) · [www.saflokstore.com](http://www.saflokstore.com)